
Specification

COM Express Compatibility	COM Express® Type 6 Basic
Gigabit Ethernet	2 x I210 10/100/1000 Ethernet Ports
USB 3.0	4 x USB 3.0 Ports
USB 2.0	2 x USB 2.0 Ports
RS-232	2 x RS232 9pin, 2xRS232 3pin
RS-485/422	2 x RS422/485
GPIO	4 x DI & 4 x DO
DP/ HDMI/DVI	4 x DisplayPort/ HDMI/DVI(Max)
VGA	1 x VGA
LVDS	1 x 18-24-bit LVDS, 4pin back power
HD Audio	1 x Audio (Mic In&Line Out)
SATA	1 x Sata 3.0 & Sata power
M.2	1 x M.2 Key B
miniPCIe	2 x Full size Mini card for Auto detect PCIe&mSATA and USB interfac
3G/4G/5G	1x micro Sim Card (from mini PCIe1)
Power Control&LED	Reference manual
Extended I/O	80pin, include 4xPCIe、SMBus、IIC、12V、5V Standby、3V3、LPC、S3#、CB_reset#、PCIe wake
Input Power	Wide Range DC in+12~+36V
Dimensions	200mm x125mm
Operating Temperature	0 °C ~+60 °C Industrial:-40 °C ~+ 85 °C 5 ~ 95%, non-condensing

COM Express®
FEATURES

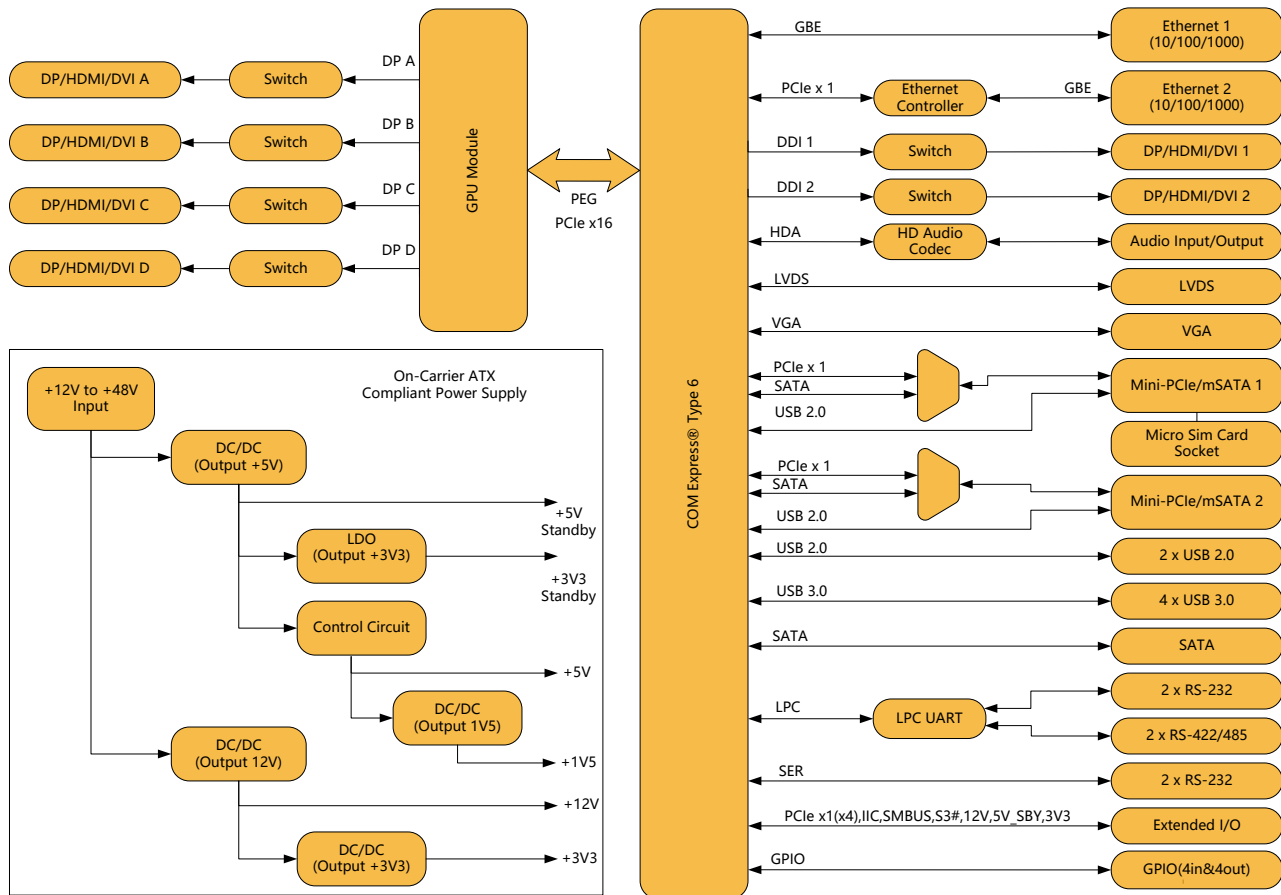
*COM Express type6 CPU+MXM GPU
Module System*

*Combines High-End GPUs
with Latest Generation x86 Processors in
a ruggedized small form factor*

*GPUs can be targeted for 4 independent
display outputs
OR for a headless GPU processing system
utilizing CUDA cores*

*System uses a building block approach:
Mix and match Intel® CPUs with
NVIDIA® GPUs*

*12~36V wide range DC input
Design of all interface pins
Operating Temperature:
-40 °C ~ +85 °C*

Block Diagram

Order Information

Part Number	CPU	GPU
CT622G80	i7-6822EQ 32GB DDR4	GTX 1080
CT622G50	i7-6822EQ 32GB DDR4	GTX 1050 TI
CT620G80	i7-6820EQ 32GB DDR4	GTX 1080
CT620G50	i7-6820EQ 32GB DDR4	GTX 1050 TI
CT615G80	E3-1515M V5 32GB DDR4	GTX 1080
CT615G50	E3-1515M V5 32GB DDR4	GTX 1050 TI
CT605G80	E3-1505L V5 32GB DDR4	GTX 1080
CT605G50	E3-1505L V5 32GB DDR4	GTX 1050 TI
CT676G80	E-2176M 32GB DDR4	GTX 1080
CT676G50	E-2176M 32GB DDR4	GTX 1050 TI
CT650G80	i7-8850H 32GB DDR4	GTX 1080
CT650G50	i7-8850H 32GB DDR4	GTX 1050 TI
GC6xx01	Cable kit for CT6G, 1xDP cable, 1xHDMI cable, 2xUSB3.0 cable, 1xUSB2.0 Cable, 1xRS232 Cable, 1xRS485/RS422 Cable, 2xLan Cable, Sata&Sata Power Cable,Power Contronl Cable	
GC6xx02	LVDS Cable,Bklt Power,	

※ Attention: For more order information, please contact us.